

VELUX WINDOWS
 SAMPLE windows or equal as shown on the plans and to be installed strictly in accordance with the SAMPLE
 Roof windows to include SAMPLE.
 Velux roof light reference - SAMPLE

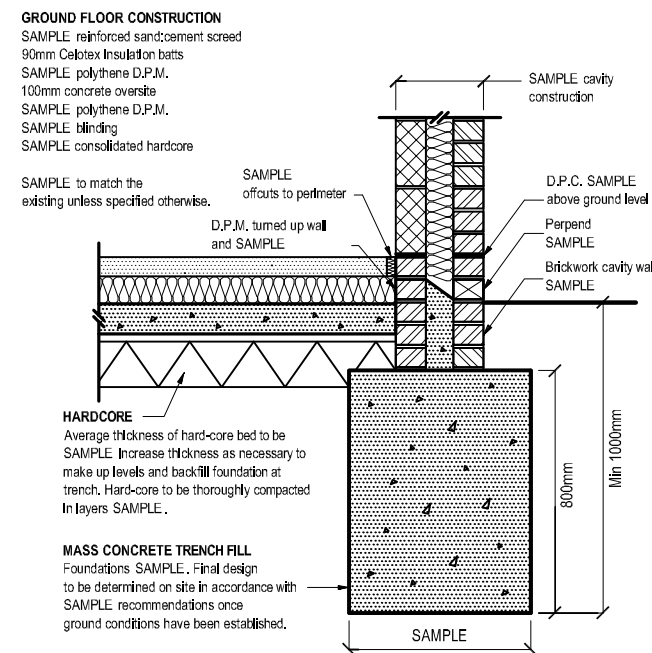
Provide SAMPLE of proposed roof windows together with SAMPLE to the window head and sill.

RAINWATER GOODS
 SAMPLE semi circular section gutters laid to falls to discharge into 65mm diameter round rainwater downpipes. New soakaways to be provided (2m³ capacity) minimum 5000mm from any structure. Rainwater drain runs to be 100mm diameter PVCu in single surround.

MONO PITCHED ROOF ABUTMENTS
 New pitched SAMPLE existing masonry. SAMPLE be birdsmouthed and supported at high level on SAMPLE fixing plate rawbolted to wall. High level ventilation to be provided with Glidevale Premier Abutment Lead Vent, or equal and approved continuous vent. Roof to be flashed SAMPLE flashing dressed over tiles and tucked into wall with a minimum SAMPLE

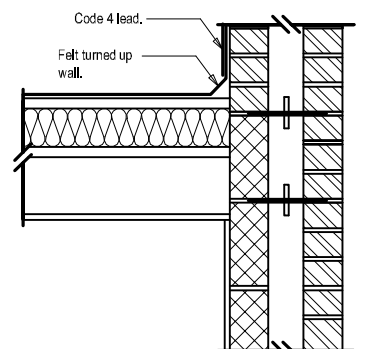
PITCHED ROOF SAMPLE
 The roof shall be covered in SAMPLE or similar (e.g. if better colour match can be located) tiles to match the SAMPLE
 To be fixed in accordance with manufacturers written instructions and to BS 5534 on SAMPLE treated soft wood battens on reinforced roofing SAMPLE
 The roof is to be cross-vented by proprietary eaves ventilator SAMPLE continuous air gap within eaves. A ridge ventilation system SAMPLE is also to be installed. To ensure a clear airflow from eaves vents SAMPLE, proprietary SAMPLE are to be fixed between rafters.
 Facia to be SAMPLE softwood to match existing complete with an SAMPLE quality plywood soffit fixed to facia and to wall with softwood battens. Clipped verge detail at gables.
 Ceiling SAMPLE foil backed plasterboard with joints filled and taped to take textured finish. Provide SAMPLE to provide support at joints SAMPLE

PITCHED ROOF INSULATION - SAMPLE
 Roof Insulation to rafters to be SAMPLE insulation slabs thickness SAMPLE between the rafters and SAMPLE thick slabs fixed to the underside of the rafters with broad headed clout nails.
 Total construction for the new build to achieve a minimum SAMPLE.
 Ensure that a minimum 50mm wide air gap is maintained between the insulation and underside of SAMPLE free passage of air for ventilation.

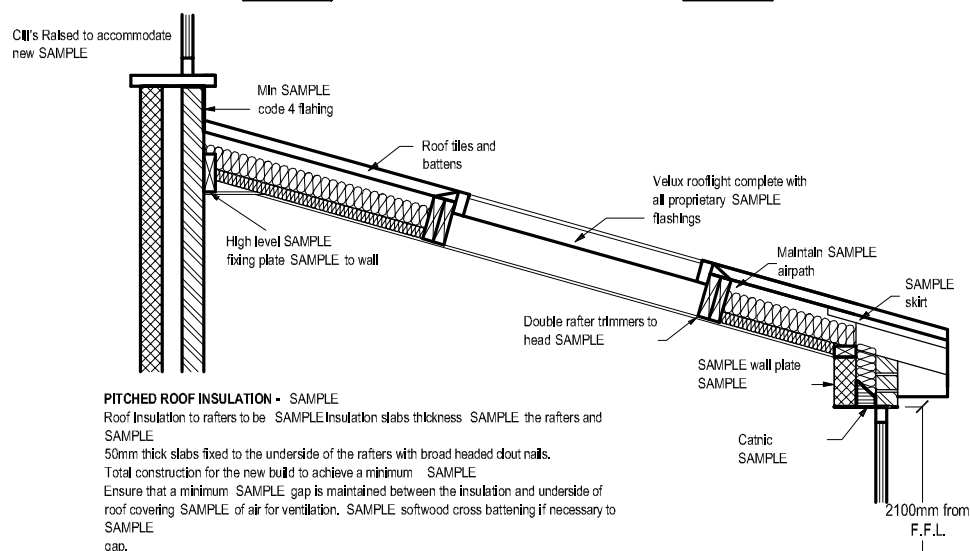


TRENCH-FILL FOUNDATION AND FLOOR DETAIL (NTS)

WARM FLAT ROOF:
 Three layer mineral felt
 105mm Celotex SAMPLE Composite
 Insulation and deck
 SAMPLE SW Firings
 SAMPLE flat roof joists at 400mm centres
 SAMPLE plasterboard
 U-value = 0.20 W/m²K
 Insulation fitted to SAMPLE written Instructions.



FLAT ROOF DETAIL (NTS)



PITCHED ROOF INSULATION - SAMPLE
 Roof Insulation to rafters to be SAMPLE insulation slabs thickness SAMPLE the rafters and SAMPLE
 50mm thick slabs fixed to the underside of the rafters with broad headed clout nails.
 Total construction for the new build to achieve a minimum SAMPLE.
 Ensure that a minimum SAMPLE gap is maintained between the insulation and underside of roof covering SAMPLE of air for ventilation. SAMPLE softwood cross batten if necessary to SAMPLE gap.

MONO PITCHED ROOF DETAIL (NTS)

Extension Design Plans Architectural Services

T: 07547 498861

www.extension-design-plans.co.uk

CLIENT: Sample
 ADDRESS: Address
 Town
 City
 Postcode

PROJECT: Single Storey Extension
 DWD NUMBER: 000 - 1
 REVISION: A
 PURPOSE: Building Regulations